



OWNERS MANUAL

FOR POPCORN MACHINE PEDESTAL BASE

MODEL:

PEDESTAL BASE

Fits 4 or 6 ounce Metropolitan Poppers

PART NUMBER:

30050

INCLUDED:

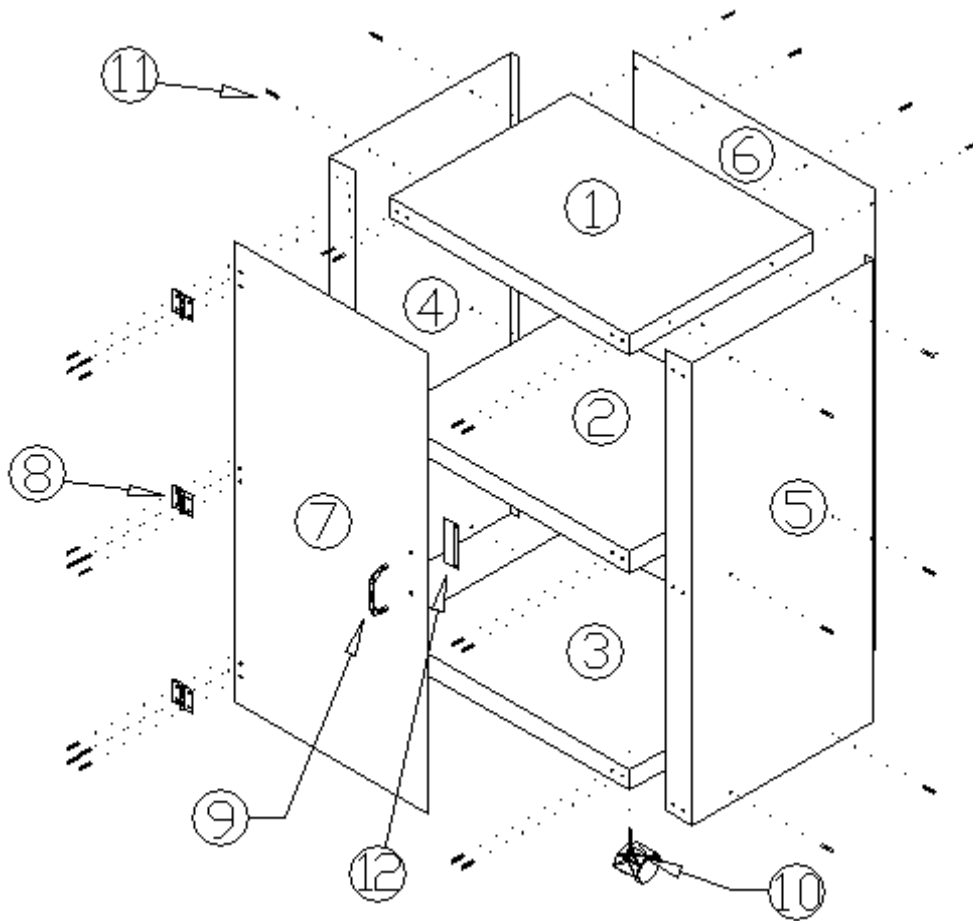
ASSEMBLY INSTRUCTIONS

SCHEMATICS

PARTS LIST

WARRANTY INFORMATION

Pedestal Assembly



Assembly Instructions

1. Assemble the pedestal by attaching the side panels (4 & 5) to the shelves (1,2 &3) using the enclosed sheet metal screws.
2. Attach the front panel (6) using the enclosed sheet metal screws.
3. Lock the magnetic catch (12) and handle (9) using the enclosed sheet metal screws.
4. Adjust the wheels of the pedestal (10) by turning them clock-wise to reduce their height and counter-clockwise to increase the height. These adjustable feet will compensate for any irregularities in the surface you are putting it on.
5. Remove the bottom tray of the popper and put four carriage bolts through the square holes in the base. The holes will align with the round holes in the pedestal's top shelf.
6. Put the wing nuts on the carriage bolts from inside the pedestal's body. Do not overtighten!

PARTS LIST

Part #	Description
0014	4 ounce kettle -120 volt
0024	4 ounce kettle -240 volt
0016	6 ounce kettle -120 volt
0026	6 ounce kettle -240 volt
0018	8 ounce kettle -120 volt
0028	8 ounce kettle -240 volt
1011	50w Warmer element -120 volt
1021	50w warmer element -240 volt
1014	800w kettle element -120 volt
1024	800w kettle element -240 volt
1016	1000w kettle element -120 volt
1026	1000w kettle element -240 volt
1018	1250w kettle element -120 volt
1028	1250w kettle element -240 volt
1030	Thermostat
2001	Power switch
2002	Kettle switch
2005	Lamp socket
2006	Kettle socket
2007	Kettle plug
2018	120 volt (50/60 hz) gearmotor
2028	240 volt (50/60 hz) gearmotor
3002	Trolley handle
3003	Trolley wheel
3004	Trolley wheel clips
3005	Trolley axle
3006	Trolley leg - short
3007	Trolley leg - long

Part #	Description
3008	Trolley shelf
3009	Trolley body
3010	Trolley hardware kit
4001	Side glass w/decal
4002	Front glass w/decal
4003	Glass channel set
4004	Black canopy top
4005	Decorative cornice
4006	Drawer
4007	Stainless bottom tray
4008	Stainless drop door
4010	Left door
4011	Right door
4015	Door magnet
4020	Door hinge set
5001	Left kettle hanger
5002	Right kettle hanger assembly
5004	4 ounce kettle lid
5006	6 ounce kettle lid
5008	8 ounce kettle lid
5014	4 ounce kettle stirrer
5016	6 ounce kettle stirrer
5018	8 ounce kettle stirrer
5021	Kettle handle complete
5022	Kettle handle spring
5023	Kettle hinge-pin/clip
5025	Kettle lid magnet
5030	Chassis

To Order Parts Contact:

Benchmark USA, Inc.

P.O. Box 5053

Ames, IA 50010 USA

Tel: 515-232-5500

Fax: 515-232-5505

Email: parts@benchmarkusainc.com



Three Year Warranty

THE WARRANTY:

Benchmark USA warrants the original purchaser of new food equipment manufactured by Benchmark USA to be free from defects in material or workmanship from the date of the original purchase for a period of three years.

WHO IS COVERED BY THIS WARRANTY:

The original purchaser who has provided proper proof of the original retail purchase and all other requested information.

WHAT IS WARRANTIED:

The obligation of Benchmark USA under this warranty is limited to the replacement of any parts or components that in the opinion of Benchmark USA are defective, F.O.B. the factory, or at any other location that Benchmark USA may designate.

WHAT VOIDS THE WARRANTY:

1. Any piece of equipment that has been installed, operated or maintained inconsistently with Benchmark USA operating instructions.
2. Any part or component that has been modified, changed or altered from its original configuration.
3. Any electrical component that has been damaged due to submergence in any liquid.
4. Any part or component that has been subject to abuse, misuse, neglect or accidents.

EXTENT OF WARRANTY:

Any defective component, part or assembly returned to Benchmark USA will be replaced by Benchmark USA. Benchmark USA will not be responsible for any expenses incurred by the customer under the terms of this warranty, nor shall it be responsible for any damages either consequential, special, contingent, or otherwise; or expenses or injury arising directly or indirectly from the use of a Benchmark USA product. Any component, part or assembly returned to Benchmark USA must be returned at the customers expense along with proof of purchase. Benchmark USA reserves the right to determine whether the terms of this warranty have been properly complied with. In the event that the terms are not complied with, Benchmark USA shall be under no obligation to honor this warranty.